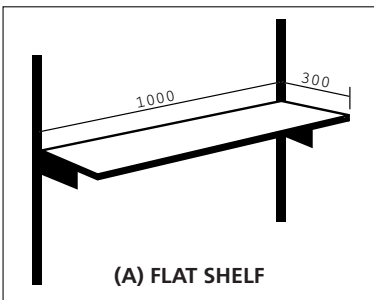


# THE HOLIDAY SHOW 2018

# SHELVING Pre-payment Order Form

Exhibitors who do not return this form will NOT have shelves fitted to their stand  
**NO ORDERS WILL BE TAKEN ON SITE. THIS FORM MUST BE FILLED IN and returned with PAYMENT IN FULL** (including 23% VAT) in order to prevent possible delays in the set up of your stand  
 Send to: Shane Hourican, Business Exhibitions Ltd.,  
 59 Rathfarnham Road, Dublin D6W AK70  
 t: +353 (0)1 295 7418 m: +353 (0)87 255 1675 e: shane@bizex.ie

EXHIBITOR DETAILS	STAND NUMBER	PLEASE COMPLETE IN BLOCK CAPITALS
Company Name _____		
Mr/Ms/Mrs _____	First Name _____	Surname _____
Job Title _____		
Invoice Address _____		
Country: _____ e: _____		
t: _____	f: _____	m: _____

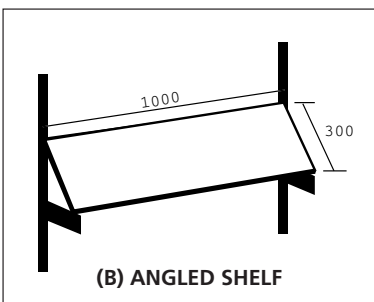


Draw on this grid the plan of your stand indicating the position of the required shelves.

Please indicate whether Flat Shelves (A) in Red or Sloping Shelves (B) in Blue.

Units are in metre sq. blocks.

	1	2	3	4	5	6	7	8
1								
2								
3								
4								
5								
6								
7								
8								



Cost per Metre	Quantity	Height from Ground	Total
(A) FLAT SHELVES	€32.00		
(B) SLOPING SHELVES	€38.00		

Sub Total €

VAT @ 23%

TOTAL €

N.B. It is important that you give the height from the ground to the base of the shelf.

## CREDIT CARD DETAILS

Visa     Mastercard    TOTAL € \_\_\_\_\_    CCV

Card No

Expiry Date   /

Cardholder Name \_\_\_\_\_ Signature \_\_\_\_\_ Date

Address \_\_\_\_\_

**CHEQUES SHOULD BE CROSSED AND MADE PAYABLE TO: BUSINESS EXHIBITIONS LTD**