

Exhibitors who do not return this form will NOT have shelves fitted to their stand  
**NO ORDERS WILL BE TAKEN ON SITE. THIS FORM MUST BE FILLED IN and returned with PAYMENT IN FULL** (including 23% VAT) in order to prevent possible delays in the set up of your stand

Send to: Shane Hourican, Business Exhibitions Ltd.,  
 59 Rathfarnham Road, Dublin D6W AK70  
 t: +353 (0)1 295 7418 m: +353 (0)87 255 1675 e: shane@bizex.ie

### EXHIBITOR DETAILS

### STAND NUMBER

PLEASE COMPLETE IN BLOCK CAPITALS

Company Name

Mr/Ms/Mrs

First Name

Surname

Job Title

Invoice Address

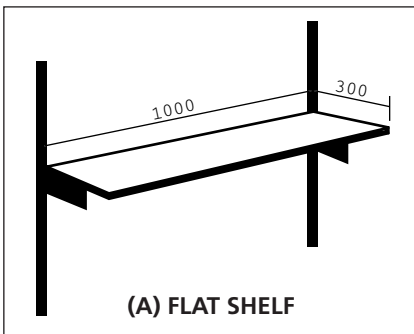
Country:

e:

t:

f:

m:

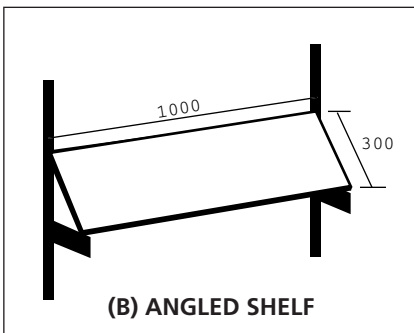


(A) FLAT SHELF

Draw on this grid the plan of your stand indicating the position of the required shelves.

Please indicate whether Flat Shelves (A) in Red or Sloping Shelves (B) in Blue.

Units are in metre sq. blocks.



(B) ANGLED SHELF

	1	2	3	4	5	6	7	8
1								
2								
3								
4								
5								
6								
7								
8								

Cost per Metre	Quantity	Height from Ground	Total
(A) FLAT SHELVES €32.00			
(B) SLOPING SHELVES €38.00			

Sub Total €

VAT @ 23%

TOTAL €

N.B. It is important that you give the height from the ground to the base of the shelf.

### CREDIT CARD DETAILS

Visa  Mastercard TOTAL €  CCV

Card No                      Expiry Date  /

Cardholder Name  Signature  Date

Address

**CHEQUES SHOULD BE CROSSED AND MADE PAYABLE TO: BUSINESS EXHIBITIONS LTD**